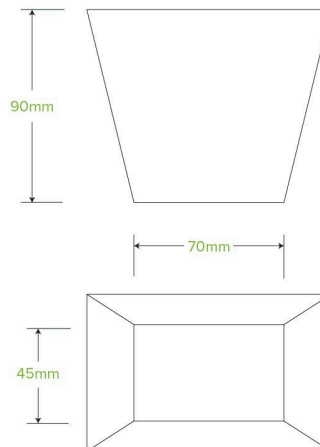


## BioBoard Hot Chip Box BB-CHIP BOX



<b>Carton quantity:</b> 500	<b>Sleeves per carton:</b> 10	<b>Units per sleeve:</b> 50
<b>Carton Size LxWxH (cm):</b> 58.0 x 24.0 x 43.0	<b>Carton gross weight (kg):</b> 8.400000	<b>Carton barcode:</b> 19344062023866
<b>Raw material:</b> Paper - FSC™ Recycled	<b>Lining/coating:</b> None	<b>Window material:</b> None
<b>Printing Type:</b> None	<b>Inks:</b> None	<b>Brim fill capacity (ml):</b> 455
<b>Dimensions top LxW (mm):</b> 113x70	<b>Dimensions base LxW (mm):</b> 70x45	<b>Product Depth:</b> 90.0
<b>Product weight (g):</b> 14.6	<b>Thickness:</b> F-Flute	<b>Use:</b> Hot and cold
<b>Manufactured:</b> China	<b>Customise:</b> Print	<b>MOQ custom:</b> 30000
<b>Mould fees:</b> Yes - see custom packaging	<b>Environmental production certified:</b> ISO 14001	<b>Quality product certified:</b> ISO 9001 pending
<b>Factory food safety certified:</b> ISO 22000	<b>Corporate social accreditation:</b> BSCI	<b>Home compostable:</b> Yes
<b>Industrially compostable:</b> Pending Certification to AS4376 Australian Standards	<b>Recyclable:</b> Yes - In The Paper Recycling if Not Contaminated With Food	