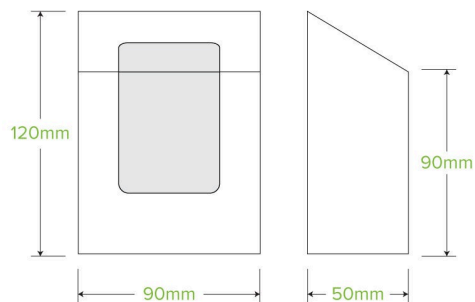


BioBoard Wrap Wedge BB-WRAP



Carton quantity: 600	Sleeves per carton: 6	Units per sleeve: 100
Carton Size LxWxH (cm): 45.0 x 21.0 x 29.5	Carton gross weight (kg): 7.700000	Carton barcode: 19344062046018
Raw material: Paper - FSC™ Mix certified paper	Lining/coating: None	Window material: Bioplastic - PLA
Printing Type: Offset	Inks: Food Contact Safe Inks	Brim fill capacity (ml): 470
Dimensions top LxW (mm): 90x50	Dimensions base LxW (mm): 90x50	Product Depth: 120.0
Product weight (g): 11.9	Thickness: 280gsm	Use: Hot, Cold & Dry Products
Manufactured: China	Customise: Print	MOQ custom: 30000
Mould fees: No	Environmental production certified: ISO 14001	Quality product certified: ISO 9001 pending
Factory food safety certified: ISO 22000	Corporate social accreditation: BSCI	Home compostable: No
Industrially compostable: Pending Certification to AS4376 Australian Standards	Recyclable: No	