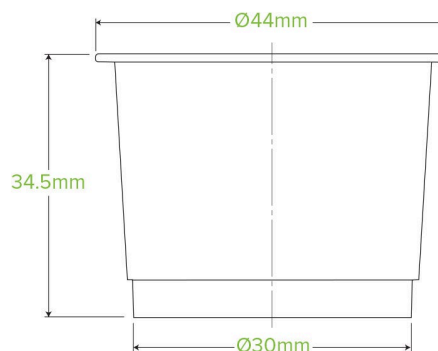


## 30ml PLA Sauce BioCup U-30Y



<b>Carton quantity:</b> 3000	<b>Sleeves per carton:</b> 30	<b>Units per sleeve:</b> 100
<b>Carton Size LxWxH (cm):</b> 58.5 x 31.5 x 22.5	<b>Carton gross weight (kg):</b> 5.500000	<b>Carton barcode:</b> 19344062000584
<b>Raw material:</b> Bioplastic - Ingeo™ PLA	<b>Lining/coating:</b> None	<b>Window material:</b> None
<b>Printing Type:</b> None	<b>Inks:</b> None	<b>Brim fill capacity (ml):</b> 30
<b>Dimensions top LxW (mm):</b> 44x44	<b>Dimensions base LxW (mm):</b> 30x30	<b>Product Depth:</b> 34.5
<b>Product weight (g):</b> 1.22	<b>Use:</b> Cold use only	<b>Manufactured:</b> Taiwan
<b>Customise:</b> Unavailable	<b>MOQ custom:</b> N/A	<b>Mould fees:</b> No
<b>Environmental production certified:</b> ISO 14001	<b>Quality product certified:</b> ISO 9001	<b>Factory food safety certified:</b> HACCP
<b>Corporate social accreditation:</b> SA 8000	<b>Home compostable:</b> No	<b>Industrially compostable:</b> Certified to AS4376 Australian Standards, Certified to EN13432 European Standard
<b>Recyclable:</b> No		